

CATEGORY	DESCRIPTION	P/N #
CONNECTOR	MINIDIN/RCA Jack, 1*4Ports, R/A, T/H, Without Shielding, With Switch	RM020R-1406X-XXC0

料號由2RM14R-K06X-XXC1  
變更為RM020R-1406X-XXC0

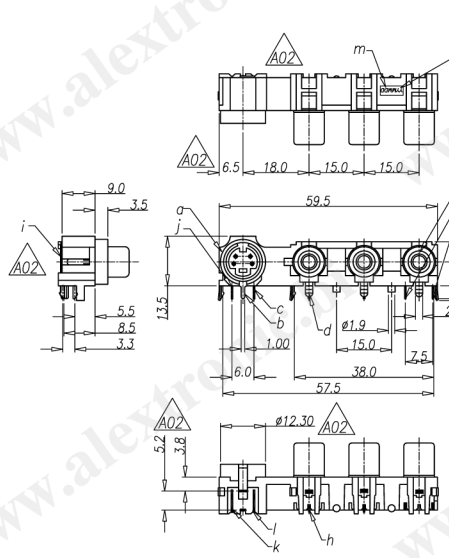
REV.	ECN NO	DESCRIPTION	REVISED	DATE
A02	ECN091121001	整理圖面, 增加噴碼, 變更料號	Luguan	2009.11.21

MINIDIN SPECIFICATION:

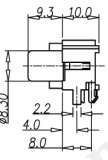
1. Voltage and Current Rating: DC 12V & 1.0A
2. Contact resistance: 30mΩ MAX.
3. Insulation resistance: 100MΩ MIN. @ DC250V
4. Withstand voltage: 250VAC for 1min
5. Insertion force: 4.5Kgf MAX.
6. Withdraw force: 0.3Kgf MIN.
7. Life test: 1,500 cycles

RCA SPECIFICATION:

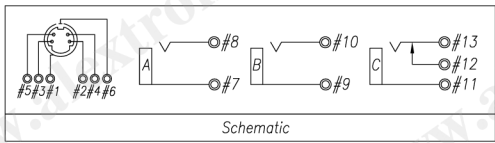
1. Voltage and Current Rating: 12V & 1A
2. Contact resistance: 30mΩ MAX.
3. Insulation resistance: 100MΩ MIN. @ DC500V
4. Withstand voltage: 500VAC for 1min
5. Insertion Force: 3Kgf MAX.
6. Extraction Force: 0.3Kgf MIN.
7. Withdraw Force for Center Contact: 0.08Kgf MIN. GAUGE PLUG (Use a OD=3.2±0.005mm, Length=14±0.2mm Gauge Plug)
8. Terminal Strength: The terminal shall be capable of withstanding a force of 3Kgf applied in any direction for 0.5 secs without losing and breakdown
9. Life test: 1,500 cycles
10. Temperature Range: -25°C~70°C
11. To conform with the "QC-03-045" & "RoHS DIRECTIVE"
12. Solder heat resistance: wave soldering 260°c 5 secs



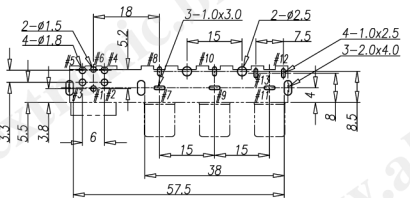
Date Code  
YY: YEAR(09~)  
MM: MONTH(01~12)  
DD: DAY(01~31)



Color Scheme  
A B C



Schematic



Recommend PCB Layout (Jack Top View)

Tolerance: ±0.05mm

Recommend PCB Thickness: 1.6mm

RM020R-1406X-XXC0

- 表示C位噴碼
  - See Color Scheme
  - X Date Code
  - 0 Without
  - 1 With
- Material & Plating

Color Scheme

XX	Housing	A	B	C
11	Black	Red	White	Yellow
12	Black	Yellow	Red	White
13	Black	Yellow	White	Red
14	Black	Green	Blue	Red
23	Black	Yellow	White	Yellow

m	Ink	1	Domino IR-270BK & MC-270BK	Black	
l	Terminal #4	1	Phosphor Bronze, T=0.4mm	CuSn Plating	
k	Terminal #5	1	Phosphor Bronze, T=0.4mm	CuSn Plating	
j	Terminal #3	1	Phosphor Bronze, T=0.4mm	CuSn Plating	
i	Terminal #6	1	Phosphor Bronze, T=0.3mm	CuSn Plating	
h	Terminal #8,10	2	Brass, T=0.5mm	CuSn Plating	
g	Terminal #12	1	Brass, T=0.4mm	CuSn Plating	
f	Terminal #13	1	Phosphor Bronze, T=0.3mm	CuSn Plating	
e	Washer	3	PBT UL94V-0	See Color Scheme	
d	Terminal #7,9,11	3	Brass, T=0.35mm	CuSn Plating	
c	Terminal #2	1	Phosphor Bronze, T=0.4mm	CuSn Plating	
b	Terminal #1	1	Brass, T=0.3mm	CuSn Plating	
a	Housing	1	PBT UL94V-0	Black	
NO.	PART NAME	Q'TY	MATERIAL	PLATING & COLOR	Remark

**Product Drawing**  
**ALEXTRONIC**

UNLESS OTHERWISE SPECIFIED TOLERANCES	SCALE: 1/1	UNIT: mm	DWG. NO: WI-061-758
DECIMALS: X : ±0.5 X.X : ±0.3 X.XX : ±0.2	SIZE: A3	PAGE: 1 OF 1	REV: A02
ANGLES: X : ±2° X.X : ±1°	APPROVED BY	CHECKED BY	PREPARED BY
	WYX	PJ	Luguan
<b>CUSTOMER COPY</b>			